

POWER SOURCE



**1 YEAR
WARRANTY**

PLAC-2PAU-C7IEC-1500

AUS 2 Pin 10A, AC Power cord to IEC-C7 Plug

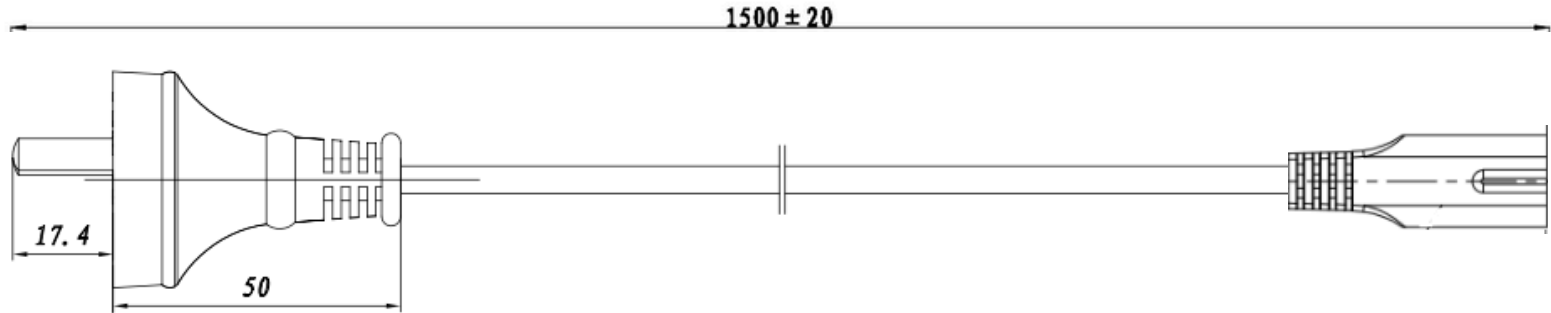
RCM Approved for Australian Market

Rating	10A	220-250V	Colour	Black
Conductor size	0.75mm ²		Warranty	1 Year
Outside Diameter	6.4MM±0.2MM		Connector A	AUS Mains plug
Withstand Voltage	2.0KV/1MIN		Connector B	IEC-C7
Standard	AS/NZS3112		Length	1.5m

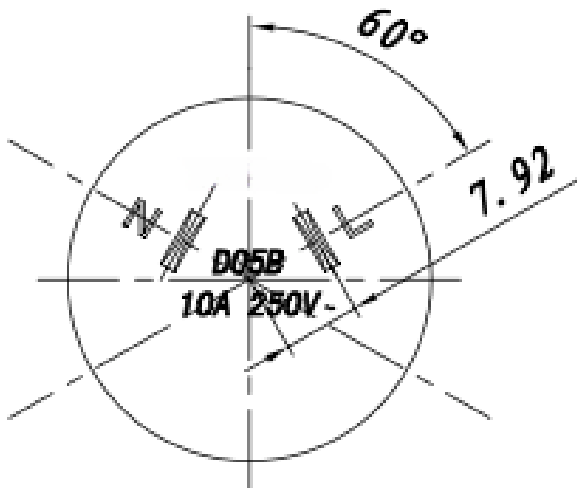


Australian
Approvals

Cable



Connector A



Connector B

