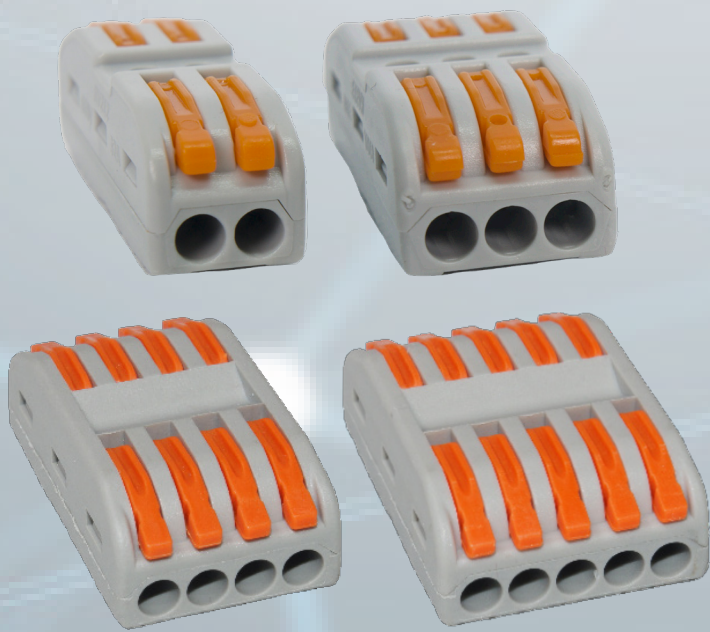


SPRING TERMINALS



FEATURES

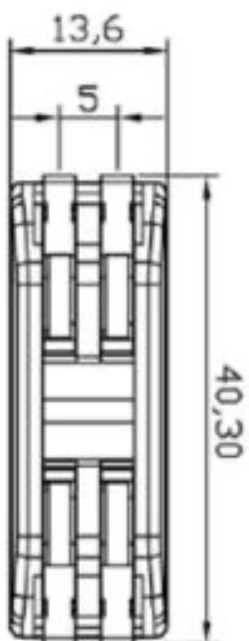
INLINE SPRING TERMINALS

Voltage Rating (DC)	60V DC
Current Rating Per Pin	32A
Wire Gauge	0.08mm ² ~ 4mm ²
Wire OD	Max 3mm
Insulation Resistance	500V 1000MΩ
Operating Temp. Range	-20 ~ +105°C
Electrical Conductor	Copper
Shell Material	Nylon (PA66)

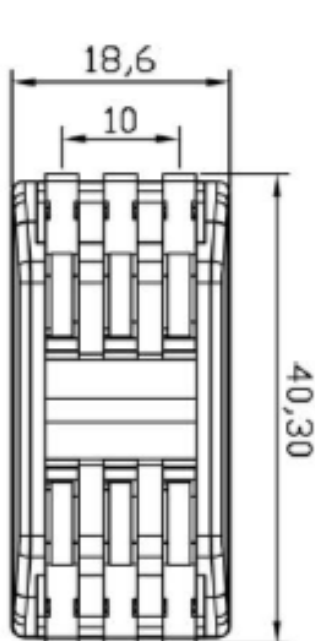
NOTE:

- WIRE STRIPPING LENGTH 9-10MM
- RECOMMENDED FOR LOW VOLTAGE DC APPLICATIONS

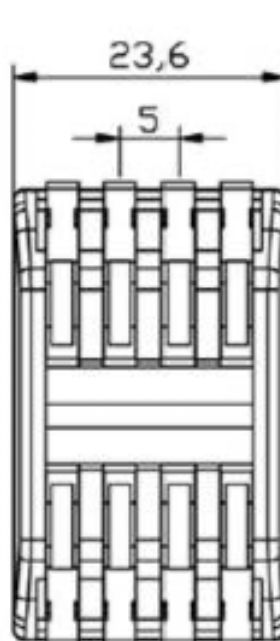
C-2-ST



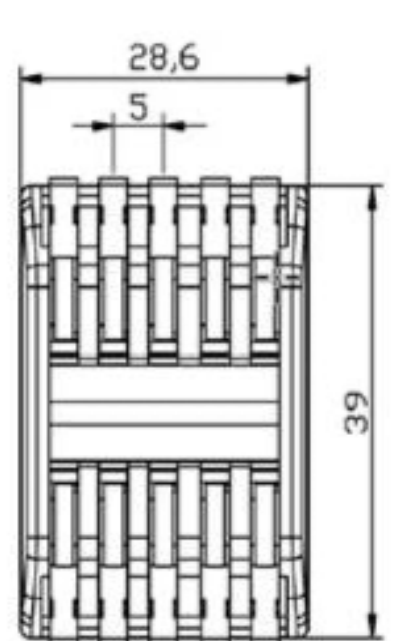
C-3-ST



C-4-ST



C-5-ST



SPRING TERMINALS



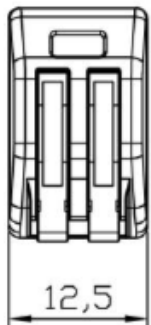
FEATURES

PARALLEL SPRING TERMINALS

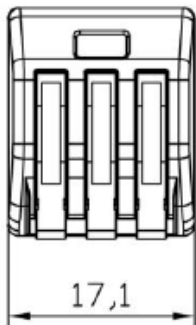
Voltage Rating (DC)	60V DC
Current Rating Per Pin	32A
Wire Gauge	0.08mm ² ~ 4mm ²
Wire OD	Max 3mm
Insulation Resistance	500V 1000MΩ
Operating Temp. Range	-20 ~ +105°C
Electrical Conductor	Copper
Shell Material	Nylon (PA66)

NOTE: • WIRE STRIPPING LENGTH 9-10MM
• RECOMMENDED FOR LOW VOLTAGE DC APPLICATIONS

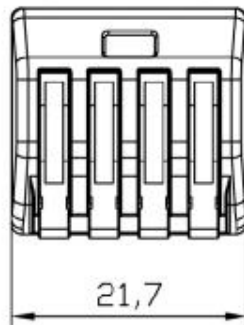
C-2-PST



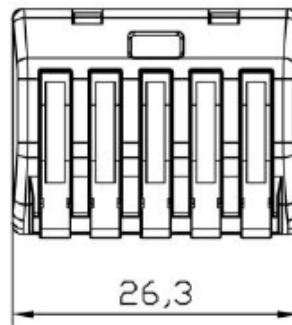
C-3-PST



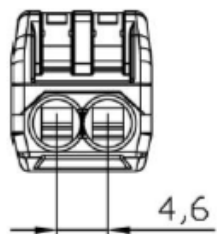
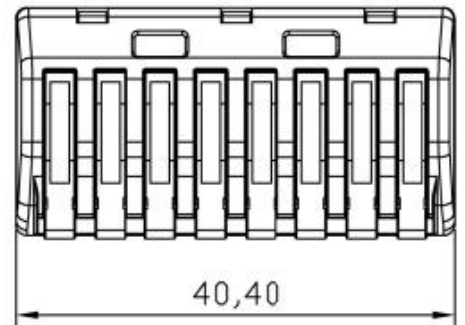
C-4-PST



C-5-PST



C-8-PST



ALL SPRING TERMINALS ARE 14.4MM HIGH AND HAVE A 4.6MM PITCH

FOR EXAMPLE:

